



TECHSOVAL
ENGINEERING SOLUTIONS



TECHNICAL DATA AND INSTALLATION GUIDE

TES–WR Outdoor Air and Exhaust Air Wall Grill with Gasket

TECHSOVAL ENGINEERING SOLUTIONS S.R.L.

VAT CODE: RO4328545 No. Registrar of Companies: J12/3618/2020

Address: COM. FLORESTI, STR. AVRAM IANCU, NR.454C, CLUJ, ROMANIA, Tel.: +40 772 272 690; Email: office@techsoval.ro

IBAN code (EUR): RO53BTRLEURCRT0574794001; Bank: BANCA TRANSILVANIA; SWIFT: BTRLRO22;

IBAN code (RON):RO06BTRLRONCRT0574794001; Bank: BANCA TRANSILVANIA; SWIFT: BTRLRO22

TES-WR Outdoor Wall Grill with Nipple

- Outdoor air and exhaust air grill with a nipple, standard powder coated black (RAL 9005), and white (RAL 9010).
- Material: galvanizing steel, powder coated

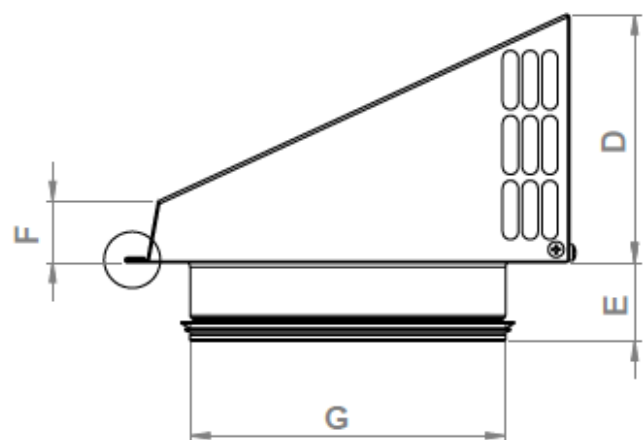
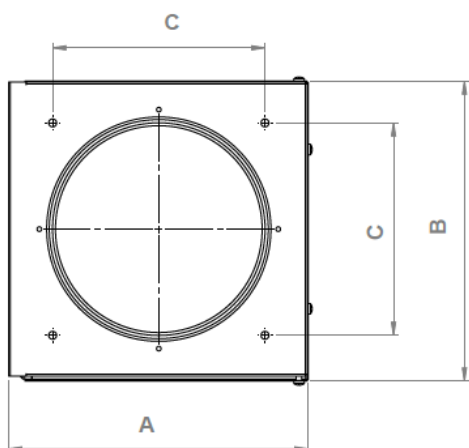


- TES - Item Number:**

TES-Item Number	Product Description
1200125B	TES-WR Outdoor Wall Grill with Gasket, Ø125, Black, RAL 9005
1200125W	TES-WR Outdoor Wall Grill with Gasket, Ø125, White, RAL 9003
1200160B	TES-WR Outdoor Wall Grill with Gasket, Ø160, Black, RAL 9005
1200160W	TES-WR Outdoor Wall Grill with Gasket, Ø160, White, RAL 9003
1200200B	TES-WR Outdoor Wall Grill with Gasket, Ø200, Black, RAL 9005
1200200W	TES-WR Outdoor Wall Grill with Gasket, Ø200, White, RAL 9003
1200250B	TES-WR Outdoor Wall Grill with Gasket, Ø250, Black, RAL 9005
1200250W	TES-WR Outdoor Wall Grill with Gasket, Ø250, White, RAL 9003

- Technical Parameters**

- Products Dimension:



SPIRO Ø	A	B	C	D	E	F	Ø G
Ø125	226	226	160	126	40	31	125
Ø160	226	226	160	126	40	31	160
Ø200	270	270	220	145	40	31	200
Ø250	305	305	270	170	40	31	250

• Specifications

- Outdoor air and exhaust air grill with a nipple, standard powder coated black (RAL 9005), and white (RAL 9010).
- Material: galvanizing steel, powder coated

- The intake/exhaust TES-WR Outdoor wall grill is made of galvanized sheet steel with a round connection for the ventilation duct. Supplied in nipple design with gasket.

• Installation

1. The back cover is easily mounted on the wall by removing the 4 screws from the front part (housing). [Picture 1](#)
2. We recommend using a sealing solution between the neck and the wall to avoid water penetration into the building. The

back piece is attached to the wall with 4 screws. [Picture 2](#)

3. Then screw the front cover into place with 4 screws. [Picture 1](#)
4. Can be easily cleaned by unscrewing the 4 screws from the front cover. [Picture 1](#)



Picture 1



Picture 2

- Performances- Graphs :

